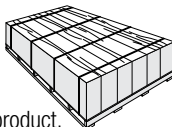




Tough Siding. Easy Choice.
Cemboard[®] fiber-cement siding

INSTALLATION REQUIREMENTS FOR PRIMED AND FACTORY BUILT COLOR TREATED PRODUCTS – EFFECTIVE FEBRUARY 2011

IMPORTANT: FAILURE TO INSTALL AND FINISH THIS PRODUCT IN ACCORDANCE WITH APPLICABLE BUILDING CODES AND THE MANUFACTURER'S WRITTEN APPLICATION INSTRUCTIONS MAY LEAD TO PERSONAL INJURY, AFFECT SYSTEM PERFORMANCE, VIOLATE LOCAL BUILDING CODES, AND VOID THE PRODUCT ONLY WARRANTY.

STORAGE & HANDLING:	CUTTING INSTRUCTIONS	
<p>Store flat and keep dry and covered prior to installation. Installing panels wet or saturated may result in shrinkage at butt joints. Carry product on edge. Protect edges and corners from breakage. The manufacturer is not responsible for damage caused by improper storage and handling of the product.</p> 	<p>OUTDOORS</p> <p>1. Position cutting station so that wind will blow dust away from user and others in working area.</p>	<p>2. Use one of the following methods:</p> <p>a. Best: i. Score and Snap ii. Shears (manual, electric or pneumatic)</p> <p>b. Better: i. Dust reducing circular saw equipped with a HardieBlade[®] saw blade and HEPA vacuum extraction</p> <p>c. Good: i. Dust reducing circular saw with a HardieBlade saw blade (only use for low to moderate cutting)</p>
<p>Important Note: For maximum protection (lowest respirable dust production), The manufacturer recommends always using "Best"-level cutting methods where feasible.</p>		<p>INDOORS</p> <p>1. Cut only using shears (manual, electric or pneumatic).</p> <p>2. Position cutting station in well-ventilated area</p> <ul style="list-style-type: none"> - NEVER use a power saw indoors - NEVER use a circular saw blade that does not carry the HardieBlade saw blade trademark - NEVER dry sweep – Use wet suppression or HEPA Vacuum <p>NIOSH-approved respirators can be used in conjunction with above cutting practices to further reduce dust exposures. Additional exposure information is available at www.jameshardie.com to help you determine the most appropriate cutting method for your job requirements. If concern still exists about exposure levels or you do not comply with the above practices, you should always consult a qualified industrial hygienist or contact the manufacturer for further information.</p> <p style="text-align: right;">SD083105</p>

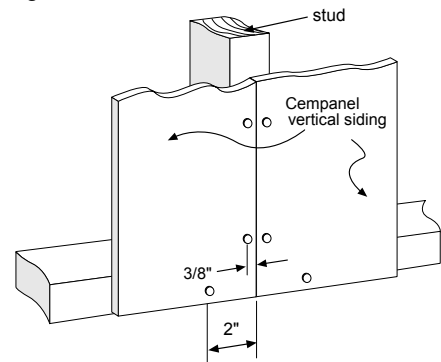
GENERAL REQUIREMENTS

- Install Cempanel vertical siding in accordance to HUD Code for Manufactured Housing. James Hardie will assume no responsibility for water infiltration.
- Cempanel vertical siding shall be applied with solid frame blocking at all edges.
- Cempanel may be installed in ceiling dead load application with blocking on long edges.
- Do not install Cempanel such that it may remain in contact with standing water.

Fastening Requirements

- Use 0.092 x 2" minimum corrosion resistant nails.
- Position fasteners 3/8" from panel edges and no closer than 2" away from corners.
- Use edge nail schedule when nailing around window and door openings.
- Nail spacing tolerance for all wind zones (+) 1/2" / (-) infinity at edges and (+1)" / (-) infinity in panel field.

Figure 1



Install per HUD code requirements for Manufactured Housing

16" OC FRAMING

WIND ZONE I	WIND ZONE II	WIND ZONE III
Panel Edge: 12" OC	Panel Edge: 5" OC	Panel Edge: 5" OC
Panel Field: 12" OC minimum	Panel Field: 5" OC minimum	Panel Field: 5" OC minimum*

*Double studs within three (3') feet of corners, both side and end walls

24" OC FRAMING

WIND ZONE I	WIND ZONE II	WIND ZONE III
Panel Edge: 6" OC	Panel Edge: 4" OC	N/A
Panel Field: 12" OC minimum	Panel Field: 4" OC minimum**	N/A

**Studs must be 2"x6" minimum

Ceiling Dead Load Application

- Foamseal F2100 Adhesive must be on one (1) side of each framing member at the junction of the framing and the panel.
 - The bead of adhesive shall be a minimum of 3/4" average height and 1" average width.
 - Fasteners must be placed a maximum of 24" OC along framing members at the long panel edges.

WARNING: AVOID BREATHING SILICA DUST – Cemboard[®] products contain respirable crystalline silica, which is known to the State of California to cause cancer and is considered by IARC and NIOSH to be a cause of cancer from some occupational sources. Breathing excessive amounts of respirable silica dust can also cause a disabling and potentially fatal lung disease called silicosis, and has been linked with other diseases. Some studies suggest smoking may increase these risks. During installation or handling: (1) work in outdoor areas with ample ventilation; (2) use fiber cement shears for cutting or, where not feasible, use a HardieBlade[®] saw blade and dust-reducing circular saw attached to a HEPA vacuum; (3) warn others in the immediate area; (4) wear a properly-fitted, NIOSH-approved dust mask or respirator (e.g. N-95) in accordance with applicable government regulations and manufacturer instructions to further limit respirable silica exposures. During clean-up, use HEPA vacuums or wet cleanup methods - never dry sweep. For further information, refer to our installation instructions and Material Safety Data Sheet available at www.jameshardie.com or by calling 1-800-9HARDIE (1-800-942-7343). FAILURE TO ADHERE TO OUR WARNINGS, MSDS, AND INSTALLATION INSTRUCTIONS MAY LEAD TO SERIOUS PERSONAL INJURY OR DEATH. SD050905